

SITE PLAN
1:200



3000
TO WATER LINE

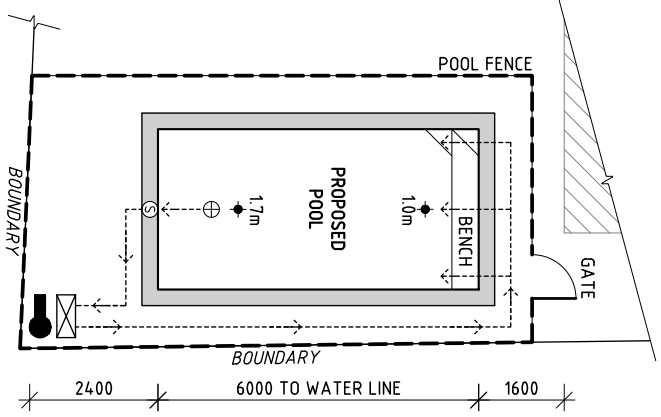
2400 6000 1600
TO WATER LINE

NOTE:

BUILDER TO ENSURE THAT THE POOL EXCAVATION WILL NOT IMPEDE THE STRUCTURAL INTEGRITY OF NEIGHBOURING STRUCTURES. IF IN DOUBT ASK ALL STEPS, SEATS & LEDGES TO BE FOUNDED 600 MM BELOW GND LEVEL AND INTO APPROVED STRATA SIMILAR TO THAT OF THE POOL.

WHERE POOL IS MORE THAN 500mm OUT OF GROUND CANTILEVER WALL TYPE B SHALL BE USED AS SHOWN ON DRAWING 2

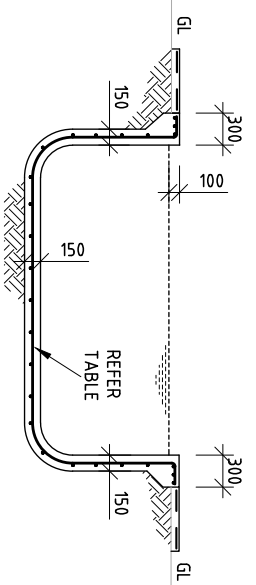
NO FLOOD STORAGE CALCULATIONS ALLOWED FOR IN THIS DESIGN. THE POOL BUILDER & SITE OWNER SHALL MAKE THEMSELVES AWARE OF ANY REQUIREMENTS FOR FLOOD STORAGE AT THIS SITE & COMPLIANCE WITH COUNCIL & THE BUILDING CERTIFIERS DIRECTIONS FOR THIS REQUIREMENT.



POOL PLAN
1:100

3000
TO WATER LINE

2400 6000 TO WATER LINE 1600



TYPICAL CROSS SECTION
1:50

REFER DRAWING 21113.39 - 02
FOR STRUCTURAL DETAILS

POOL CURING:
CONCRETE POOL SHALL BE CURED WITH WATER FOR 14 DAYS FOLLOWING CONCRETE SETTING

NOTE:
POOL FENCING & SAFETY SHALL COMPLY WITH THE FOLLOWING STANDARDS:
AUSTRALIAN CODES AS1926.1 SAFETY BARRIERS FOR SWIMMING POOLS & AS1926.2 AUSTRALIAN STANDARD FOR LOCATION OF SAFETY BARRIERS FOR SWIMMING POOLS.
AS 2818 - AUSTRALIAN STANDARD GUIDE FOR SWIMMING POOL SAFETY.

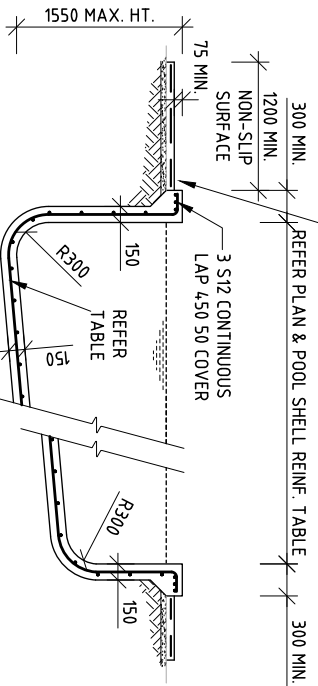
THE SAFETY FENCING DETAILS AND LOCATIONS SHALL BE APPROVED BY THE CLIENT / OWNER AND THE LOCAL AUTHORITY PRIOR TO CONSTRUCTION
CONSTRUCTION SHALL COMPLY WITH AS 2783 USE OF REINFORCED CONCRETE FOR SMALL SWIMMING POOLS & AS 3600.
ALL REINFORCEMENT & SITE CONDITIONS SHALL BE APPROVED BY ESEN ENGINEERING'S SITE INSPECTOR.
TO COMPLY WITH AS1926.3 2010 POOL WATER RETICULATION SYSTEMS.

- LEGEND:**
- SUCTION PIPES 50Ø PVC
 - RETURN PIPES 40Ø PVC
 - FILTRATION UNIT
 - PUMP OUT LINE TO SEWER OR STORMWATER
 - SKIMMER BOX
 - HYDROSTATIC VALVE
 - POOL LIGHT

NOTE:
ANY REVISIONS OR EXTRA DRAWINGS REQUESTED FOLLOWING THE ORIGINAL ISSUE OF DRAWINGS WILL INCUR ADDITIONAL FEES.
ALL FOOTINGS AND SITE WORK SHOWN ON THESE DRAWINGS SHALL BE CERTIFIED FOLLOWING INSPECTIONS BY ESEN ENGINEERING P/L WORK CARRIED OUT BY OTHERS AND NOT CERTIFIED BY THIS FIRM SHALL NOT BE THE RESPONSIBILITY OF THIS FIRM FOR COMPLIANCE. APPROVALS OR INDENTIFY.
THE DESIGN & DRAWINGS REFERRED TO HERE HAVE BEEN PREPARED WITHOUT CONSIDERATION OF THE WHS QLD CODE OF PRACTICE 2013.

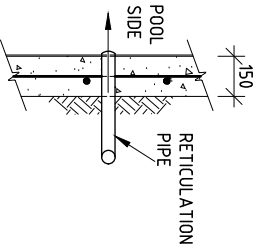
		CIVIL AND STRUCTURAL ENGINEERS	
P 07 5578 8088 info@esenengineering.com Suite 12, Building 3 - Level 2 Lakehouse Offices 34-36 Glenelg Dr, Robina QLD 4226			
REV	DESCRIPTION	DATE	BY
0	FIRST ISSUE	14.12.21	
DESIGNED	RJS	SCALE	AS SHOWN
PROJECT CONCRETE POOL SHELL for WINNING 23a NAUTILUS WAY KINGSCLIFF, NSW 2487		CLIENT BALLI POOLS PTY LTD 0410 901 900 info@ballipools.com.au	
DRAWING No 21113.39		1 OF 2	

WHERE REQUIRED 900 W x 100 THICK CONCRETE POOL SURROUND WITH 1 LAYER F62 MESH 25 TOP COVER. E/S AT 1500 CENTRES

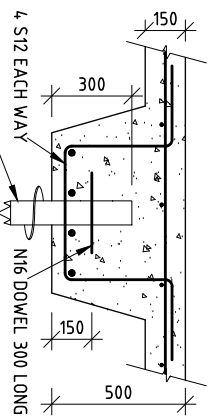


BASE OF SHELL TO BE COMPACTED TO 60% DENSITY INDEX & APPROVED BY INSPECTING ENGINEER

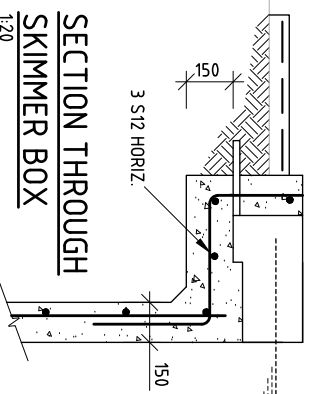
LONGITUDINAL SECTION
1:50



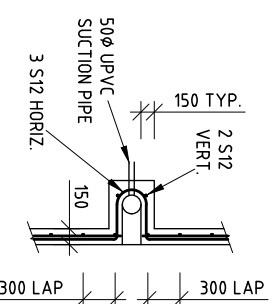
POOL SHELL PIPING
1:20



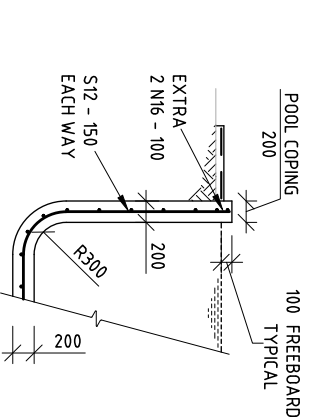
SHELL THICKENING FOR SCREW PIERS
1:20



SECTION THROUGH SKIMMER BOX
1:20

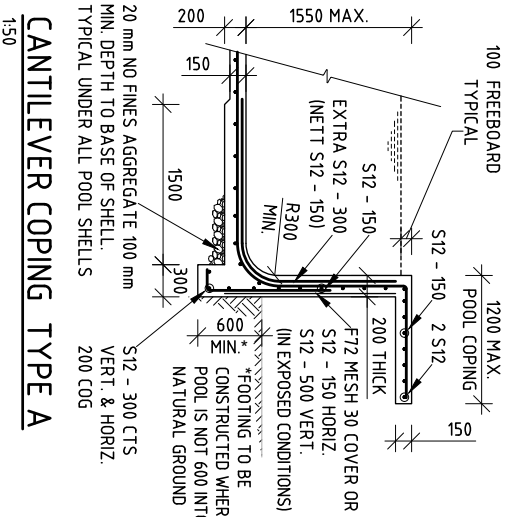


SKIMMER BOX DETAIL PLAN
1:50



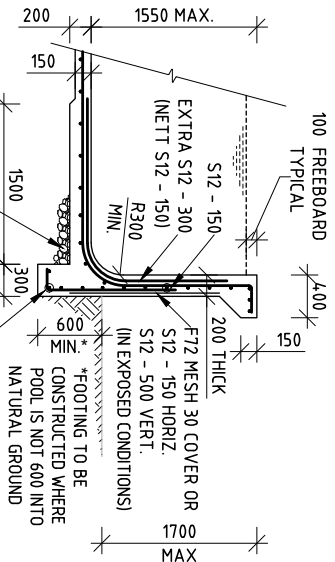
MAIN DRAIN SECTION
1:50

200 POOL COPING DETAIL
1:50



CANTILEVER COPING TYPE A
1:50

- POOL DESIGN NOTES:**
- 1 THE STRUCTURE HAS BEEN DESIGNED IN COMPLIANCE WITH THE STANDARD BUILDING CODES, BASED ON THE PERFORMANCE OF SIMILAR, PREVIOUSLY DESIGNED AND CONSTRUCTED POOLS AND IF BUILT IN ACCORDANCE WITH THE DETAILS AND SPECIFICATIONS SHOWN, WILL BE STRUCTURALLY SOUND.
 - 2 THE POOL IS DESIGNED TO BE CONSTRUCTED IN FIRM STABLE NATURAL GROUND OR CERTIFIED COMPACTED FILL (UP TO CLASS "w"). THE POOL HAS NOT BEEN DESIGNED FOR EXPANSIVE CLAY CONDITIONS OR WHEN SUITABLE LOOSE OR NON UNIFORM MATERIALS ARE ENCOUNTERED UNDER THE POOL. IT IS THE POOL BUILDER'S RESPONSIBILITY TO ENSURE THAT THE ABOVE CONDITIONS ARE ADHERED TO - IF IN DOUBT, THIS OFFICE OR GEO TECHNICAL CONSULTANT SHALL BE CONSULTED.
 - 3 CONCRETE STRENGTH $f'c = 25$ MPa AT 28 DAYS PLACEMENT OF CONCRETE TO BE IN ONE CONTINUOUS OPERATION, THEN PROTECTED TO PREVENT PREMATURE DEHYDRATION AND CURED BY AN APPROVED METHOD FOR A MINIMUM OF 14 DAYS.



CANTILEVER WALL TYPE B
1:50

- POOL CONSTRUCTION NOTES:**
- 1 DIMENSIONS SHALL NOT BE SCALED AND SET OUT DIMENSIONS SHALL BE VERIFIED PRIOR TO CONSTRUCTION.
 - 2 ALL CONCRETE, REINFORCING AND FORMWORK TO BE IN ACCORDANCE WITH CURRENT S.A.A. CODES.
 - 3 BACKFILL OR WATERFILLING SHALL NOT BE CARRIED OUT FOR 14 DAYS AFTER POOL HAS BEEN SPRAYED, WATER PROOFING OF THE POOL SHALL BE AN APPROVED METHOD TO POOL BUILDERS SPECIFICATION.
 - 4 APPROVED METHOD TO POOL BUILDERS SPECIFICATION.
 - 5 POOL FENCING AND SECURITY TO BE COMPLIANT WITH AS1926-2012.
 - 6 THE POOL SHALL NOT BE EMPLOYED WITHOUT THE WRITTEN APPROVAL OF THE POOL BUILDER.
 - 7 ALL CLASS 9 PVC PIPES SHALL NOT BE LOCATED WITHIN THE POOL SHELL - AND SHALL BE SEPARATED FROM THE SHELL BY 10mm ABLFLEX. IT IS STRONGLY RECOMMENDED THAT TREES ARE NO CLOSER THAN 100% OF THEIR HEIGHT FROM THE SWIMMING POOL.
 - 8 AT NO TIME SHALL THE POOL EXCAVATION BE BELOW A CRITICAL LINE 1 VERTICAL TO 1 HORIZONTAL FROM THE UNDERSIDE OF THE FOUNDATION TO ANY NEIGHBOURING STRUCTURE. IN THE CASE OF SAND OR LOOSE MATERIAL 1 VERTICAL TO 1.5 HORIZONTAL.
 - 9 NO RESPONSIBILITY CAN BE ACCEPTED BY THIS OFFICE FOR MOVEMENTS TO THE SWIMMING POOL AS A RESULT OF SETTLEMENTS IN ADJACENT STRUCTURES.

POOL SHELL REINFORCEMENT		GROSS REINFORCEMENT SHORT DISTANCE	
POOL LENGTH (MAX.)	POOL WIDTH (MAX.)	REINFORCEMENT LONGITUDINAL	REINFORCEMENT SHORT DISTANCE
9 m	5 m	S12 - 300	S12 - 300
9 - 12 m	6 m	S12 - 200	S12 - 300
12 - 15 m	8 m	S12 - 150	S12 - 300
GREATER THAN 15 m		BY SPECIFIC DESIGN BY ENGINEER	



CIVIL AND STRUCTURAL ENGINEERS

P 07 5578 8088 | info@esenengineering.com
Suite 12, Building 3 - Level 2 Lakehouse Offices
34-36 Glenferrie Dr, Robina QLD 4226

0	FIRST ISSUE	14.12.21	PROJECT	CONCRETE POOL SHELL for WINNING
REV	DESCRIPTION	DATE	DESIGNED	23a NAUTILUS WAY KINGSCLIFF, NSW 2487
DEC '21	DRAWN	ACFF	CLIENT	BALI POOLS PTY LTD
RJS	SCALE	AS SHOWN	0410 901 900	info@balipools.com.au
SIGNED			DRAWING No	21113.39
R.J. SHOWERS RPEQ/547 MIE Aust			2 OF 2	
ESEN ENGINEERING PTY LTD ACN 636 547 987			REV	